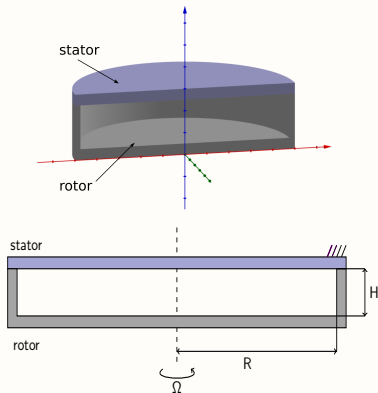


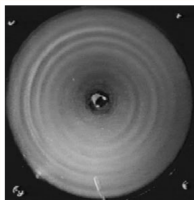
Subcritical dynamics of axisymmetric rotor-stator flow

Artur Gesla^{1,3}, Laurent Martin Witkowski², Yohann Duguet³,
Patrick Le Quéré³

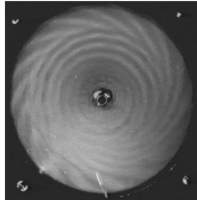
¹Sorbonne Université ²Univ Lyon, LMFA ³LISN-CNRS, Université Paris-Saclay



$$Re = \Omega H^2 / \nu \quad H/R$$



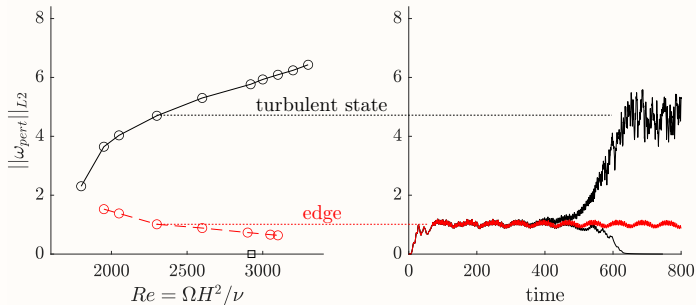
$Re = 225$
Circular rolls



$Re = 273$
Spiral rolls

$H/R = 0.11$, Schouveiler et al., 1998

Numerical results



Bifurcation diagram ($Re_c \approx 2925$)

Bisection at $Re = 2300$.