

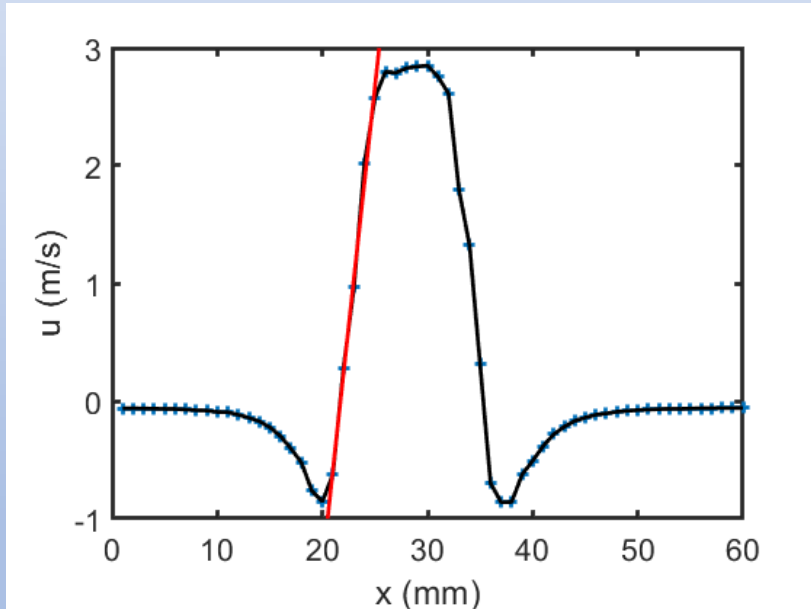
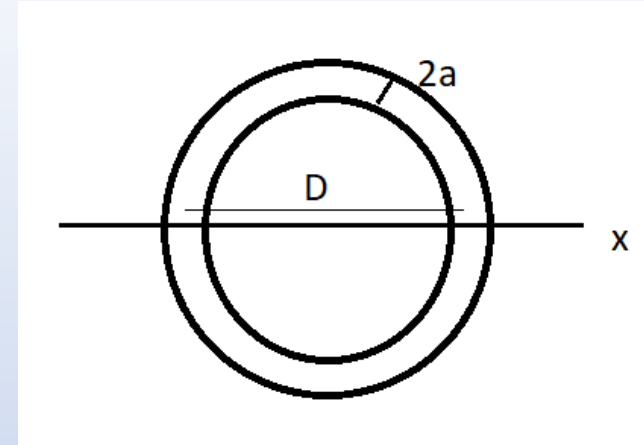
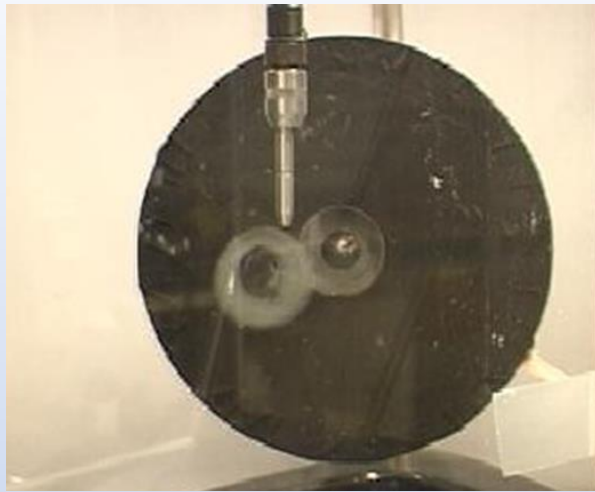
# PROBABILITY DENSITY FUNCTION FOR PARTICLE ACCELERATIONS INTURBULENCE AND THE STRUCTURE OF VORTICES

Gerardo Ruiz Chavarria  
Facultad de Ciencias, UNAM  
e-mail: [gruiz@unam.mx](mailto:gruiz@unam.mx)

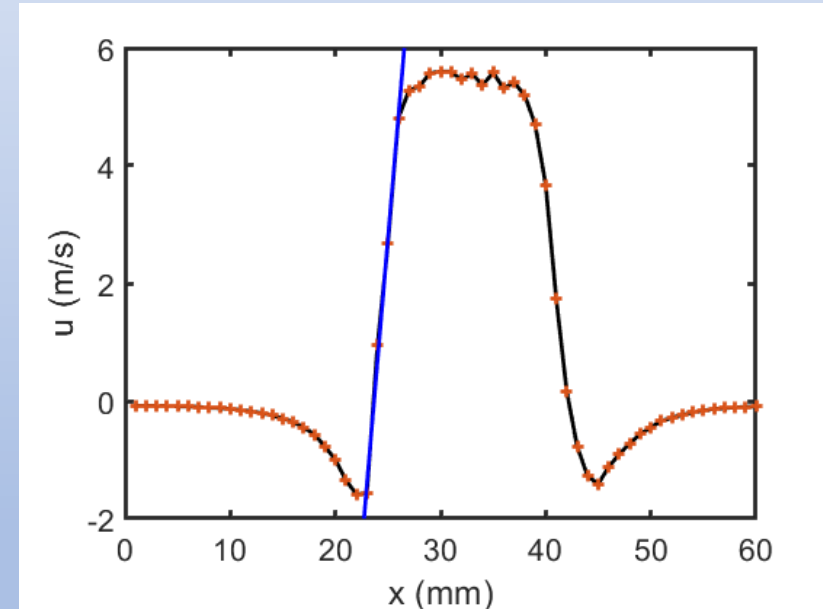


In a laminar flow, it is possible to observe accelerations of fluid particles as high as those observed in turbulent flows?

We investigate the velocity and the acceleration in annular vortices



a)  $1300 \text{ m/s}^2$  for  $\text{Re}=800$



a)  $6500 \text{ m/s}^2$  for  $\text{Re}=2200$